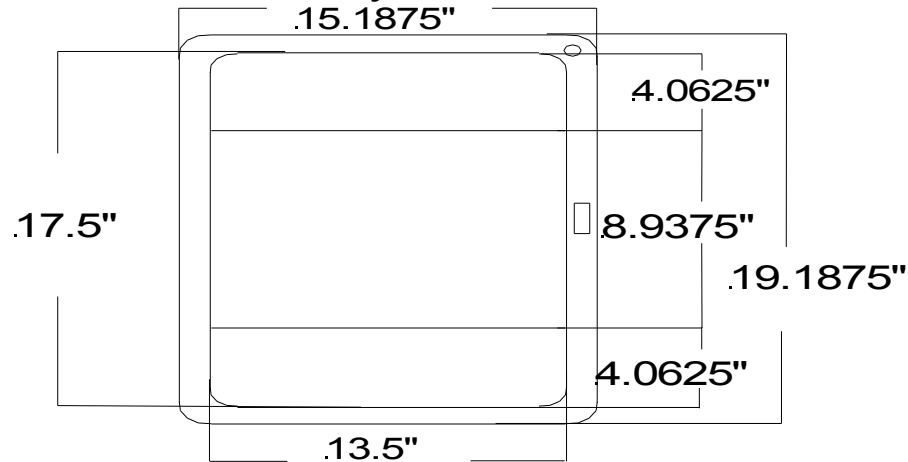


**American Pride - 526 Crest Road - Flat Rock, NC 28731
828-697-8847 Fax 828-697-7094**

Style Cabinet #9404R Flat Panel White Hide

Door: 16" x 22"x 5/8" White Flat Panel Door Melamine Coated MDF
Mirror: Not applicable
Door Catch: Screwed on striker plate with 3-7 lb. Magnet
Shelves: 3 fixed white polystyrene shelves
Hinges: 2.5" Tri Brite hinges
Hardware: All hardware is zinc plated(magnetic catch, screws & hardware pack)
Cabinet: Injection Molded in White
Rough Opening 13-1/2" x 17-1/2"x 2-5/8" Storage Depth 3"
Covers up 15-3/16" x 19-3/16" Non-Sleeved
Typical Wall Thickness .85 Material: High Impact Polystyrene
All Color Non-Toxic 1.5 Notched Izod(minimum)
Specific Gravity 1.05, 73^o/28^o Heat Deflection annealed, 264 psi 185
Vicat Softening Point, ^oF 202 ^oC 94
Tensile Strength at yield (2.0 in/min) psi 3400
Ultimate Elongation %(0.2 in/min)(5 mm/min) 35
Flexular Modulus (0.05 in/min) psi 300,000 Hardness, Rockwell M 20
Izod Impact, 1/4" - 8.4 mm @ 78^o F/23^oC 1.4 ft.-lb. 75 J/M

**94 Series Plastic(Polystyrene)
Recessed Only Medicine Cabinet**



**Plastic(Polystyrene) Cabinet
Storage Depth(3")
3 Fixed Polystyrene Shelves
Covers Up 15.1875" x 19.1875"
R.O.(13.5" x 17.5"x 2.625")**