

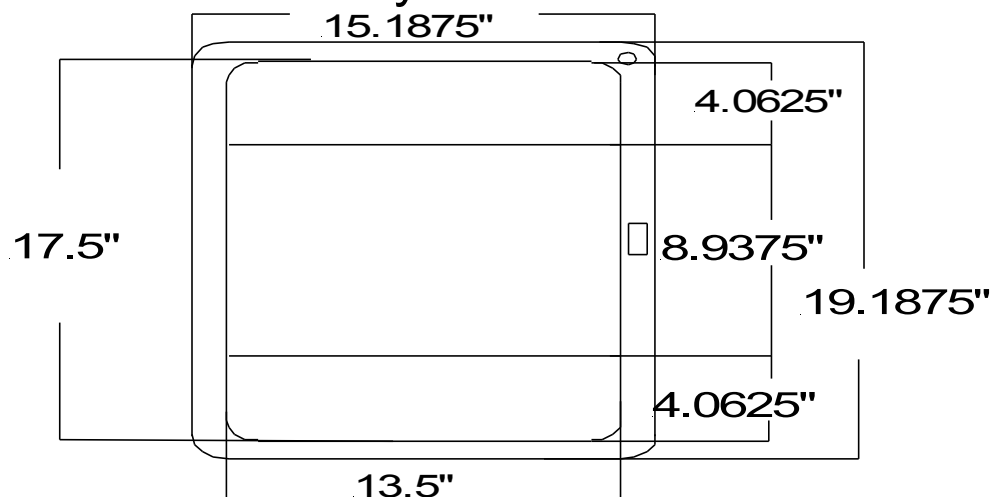
American Pride - 526 Crest Road – Flat Rock, NC 28731
828-697-8847 Fax 828-697-7094

Product Data Specifications

HORIZON - Model # 940M20R Recessed Mount Medicine Cabinet

DOOR/MIRROR:	16" x 20" x 1/8" Thickness w/ Polished Edge High impact polystyrene door backing bonded to mirror with double faced tape and specially formulated bonding agent
OVERALL SIZE:	16" x 20" x 3-1/2"
ROUGH OPENING:	13 1/2" x 17 1/2" x 2-5/8"
INSIDE DEPTH:	3" Overall Depth: 3-1/2"(Top of Mirror to Back of Cabinet)
SHELVES:	3 fixed, injection molded polystyrene
HINGE:	2 Tri-brite galvanized split butt 2.5" hinges
DOOR OPERATION:	One riveted stainless steel striker plate and magnetic catch closure mechanism
MOUNTING HARDWARE:	4 #8 x 1 1/2" Steel Tapping Screws
REVERSIBLE:	Yes
DOOR BACKING:	White High Impact Polystyrene .060 Thickness
CABINET:	Injection Molded in White Recessed: 13.5" x 17.5" Typical Wall Thickness .085 Material: High Impact Polystyrene

94 Series Plastic(Polystyrene) Recessed Only Medicine Cabinet



Plastic(Polystyrene) Cabinet
Storage Depth(3")
3 Fixed Polystyrene Shelves
Covers Up 15.1875" x 19.1875"
R.O.(13.5" x 17.5" x 2.625")