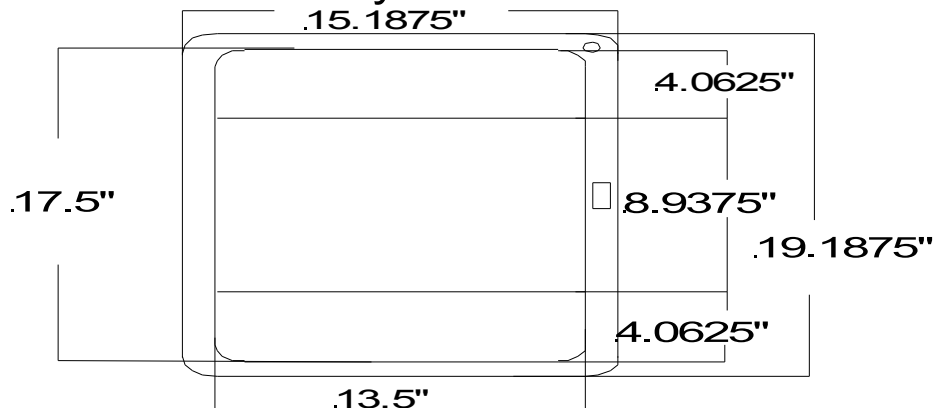


## Product Data Specifications

Winston - Model # 9410XR1(CA)Carolina, 9410XR1CL(Classic),9410XR1CH(Cherry), 9410XR1HE(Heritage), & 9410XR1MA(Maple) Recessed Only Medicine Cabinet

<b>MIRROR:</b>	13-13/16" x 17-13/16" x .0788" CCE
<b>OVERALL SIZE:</b>	16-3/4" x 20-5/8" x 4"
<b>ROUGH OPENING:</b>	13 1/2" x 17 1/2" x 2 5/8"(Actual cabinet size 13-1/4" x 17-3/8")
<b>INSIDE DEPTH:</b>	3"
<b>HINGE:</b>	2 Tri-brite galvanized split butt 2.5" hinges
<b>DOOR OPERATION:</b>	One riveted stainless steel striker plate and magnetic catch closure mechanism
<b>MOUNTING HARDWARE:</b>	4 #8 x 1 1/2" Steel Tapping Screws
<b>FRAME MATERIAL:</b>	16-3/4" x 20-5/8" x 3/4" MDF Paper Wrapped in the 5 finishes above
<b>REVERSIBLE:</b>	Yes
<b>DOOR BACKING:</b>	White High Impact Polystyrene .060 Thickness
<b>CABINET:</b>	Injection Molded in White Recessed: 13.5" x 17.5" x 2.625" Typical Wall Thickness .085 Material: High Impact Polystyrene All Color Non-Toxic 1.5 Notched Izod (minimum) Specific Gravity 1.05, 73°/28° F Heat Deflection Annealed, 264 psi 185 Vicat Softening Point, °F 202 °C 94 Tensile Strength at yield (2.0 in/min) psi 3400 Ultimate Elongation % (0.2 in/min)(5mm/min) 35 Flexular Modulus (0.05 in/min) psi 300,000 Hardness, Rockwell M 20 Izod Impact, 1/4" – 8.4 mm @ 78°F/23°C 1.4 ft.-lb.75 J/m

### 94 Series Plastic(Polystyrene) Recessed Only Medicine Cabinet



Plastic(Polystyrene) Cabinet  
Storage Depth(3")  
3 Fixed Polystyrene Shelves  
Covers Up 15.1875" x 19.1875"  
R.O.(13.5" x 17.5"x 2.625")