

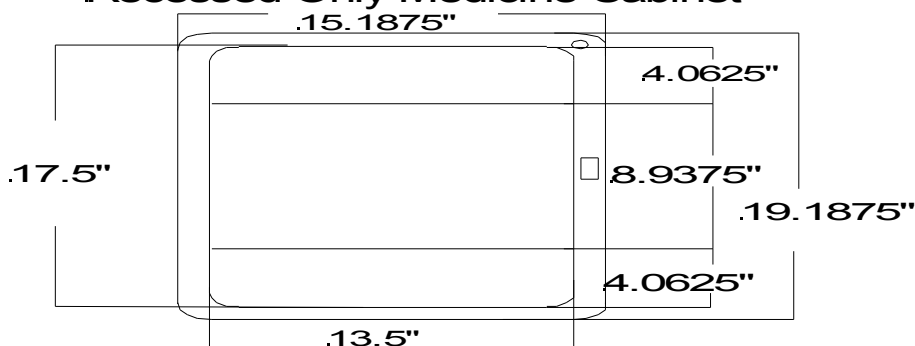
**American Pride- 526 Crest Road Flat Rock, NC 28731  
828-697-8847 Fax 828-697-7094**

**Product Data Specifications**

Sunset - Model # 9422PBR Recessed Mount Medicine Cabinet

<b>MIRROR:</b>	16" x 22" Single Strength (.09375) CCE
<b>OVERALL SIZE:</b>	16-1/8" x 22-1/8" x 3-5/8"
<b>ROUGH OPENING:</b>	13 1/2" x 17 1/2"(Actual cabinet size 13-1/4" x 17-3/8")
<b>STORAGE DEPTH:</b>	3" <b>SHELVES:</b> 3 fixed, injection molded polystyrene
<b>DOOR FILLER:</b>	275 lbs. test A-Flute Corrugated Pad
<b>HINGE:</b>	2 Tri-brite galvanized split butt 2.5" hinges
<b>DOOR OPERATION:</b>	One riveted stainless steel striker plate and magnetic catch closure mechanism
<b>MOUNTING HARDWARE:</b>	4 #8 x 1 1/2" Steel Tapping Screws
<b>FRAME MATERIAL:</b>	16.125 x 22.125 x .018 x .375 Type Solid Polished Brass Miter by #8 Pan Head Phillips Frame Coated with Protective Flexible PVC Film
<b>REVERSIBLE:</b>	Yes
<b>DOOR BACKING:</b>	White High Impact Polystyrene .060 Thickness
<b>CABINET:</b>	Injection Styrene Molded in White Rough Opening 13-1/2" x 17-1/2"x 2-5/8"      Storage Depth 3" Covers up 15-3/16" x 19-3/16" Non-Sleeved Typical Wall Thickness .085 Material: High Impact Polystyrene      All Color Non-Toxic 1.5 Notched Izod(minimum)      Specific Gravity 1.05, 73°/28° 1.6 Heat Deflection annealed, 264 psi 185 Vicat Softening Point, °F 202 °C 94 Tensile Strength at yield (2.0 in/min) psi 3400 Ultimate Elongation %(0.2 in/min)(5 mm/min) 35 Flexular Modulus (0.05 in/min) psi 300,000 Hardness Rockwell M 20 Izod Impact, 1/4" - 8.4 mm @ 78° F/23°C 1.4 ft.-lb.      75 J/M

**94 Series Plastic(Polystyrene)  
Recessed Only Medicine Cabinet**



**Plastic(Polystyrene) Cabinet  
Storage Depth(3")  
3 Fixed Polystyrene Shelves  
Covers Up 15.1875" x 19.1875"  
R.O.(13.5" x 17.5"x 2.625")**