

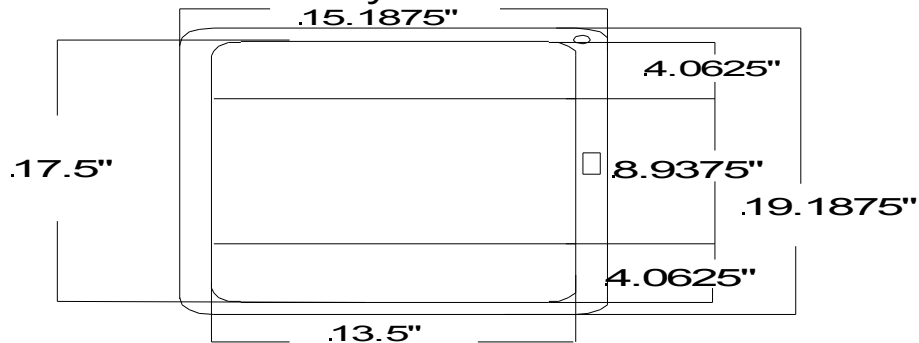
**American Pride- 526 Crest Road Flat Rock, NC 28731  
828-697-8847 Fax 828-697-7094**

**Product Data Specifications**

VISTA - Model # 9422R Recessed Mount Medicine Cabinet

**MIRROR:** 16" x 22" Single Strength (.09375) CCE  
**OVERALL SIZE:** 16 1/8" x 22 1/8" x 3-5/8"  
**ROUGH OPENING:** 13 1/2" x 17 1/2"(Actual cabinet size 13-1/4" x 17-3/8")  
**STORAGE DEPTH:** 3" **SHELVES:** 3 fixed, injection molded polystyrene  
**DOOR FILLER:** 275 lbs. test A-Flute Corrugated Pad  
**HINGE:** 2 Tri-brite galvanized split butt 2.5" hinges  
**DOOR OPERATION:** One riveted stainless steel striker plate and magnetic catch closure mechanism  
**MOUNTING HARDWARE:** 4 #8 x 1 1/2" Steel Tapping Screws  
**FRAME MATERIAL:** 16.125 x 22.125 x .018 x .375 Type 430 Stainless Steel  
Miter by #8 Pan Head Phillips Frame Coated with Protective Flexible PVC Film  
**REVERSIBLE:** Yes  
**DOOR BACKING:** White High Impact Polystyrene .060Thickness  
**CABINET:** Injection Styrene Molded in White  
Rough Opening 13-1/2" x 17-1/2"x 2-5/8" Storage Depth 3"  
Covers up 15-3/16" x 19-3/16" Non-Sleeved Typical Wall Thickness .085  
Material: High Impact Polystyrene All Color Non-Toxic  
1.5 Notched Izod(minimum) Specific Gravity 1.05, 73°/28°  
1.6 Heat Deflection annealed, 264 psi 185  
Vicat Softening Point, °F 202 °C 94  
Tensile Strength at yield (2.0 in/min) psi 3400  
Ultimate Elongation %(0.2 in/min)(5 mm/min) 35  
Flexular Modulus (0.05 in/min) psi 300,000 Hardness Rockwell M 20  
Izod Impact, 1/4" - 8.4 mm @ 78° F/23°C 1.4 ft.-lb. 75 J/M

**94 Series Plastic(Polystyrene)  
Recessed Only Medicine Cabinet**



**Plastic(Polystyrene) Cabinet  
Storage Depth(3")  
3 Fixed Polystyrene Shelves  
Covers Up 15.1875" x 19.1875"  
R.O.(13.5" x 17.5"x 2.625")**