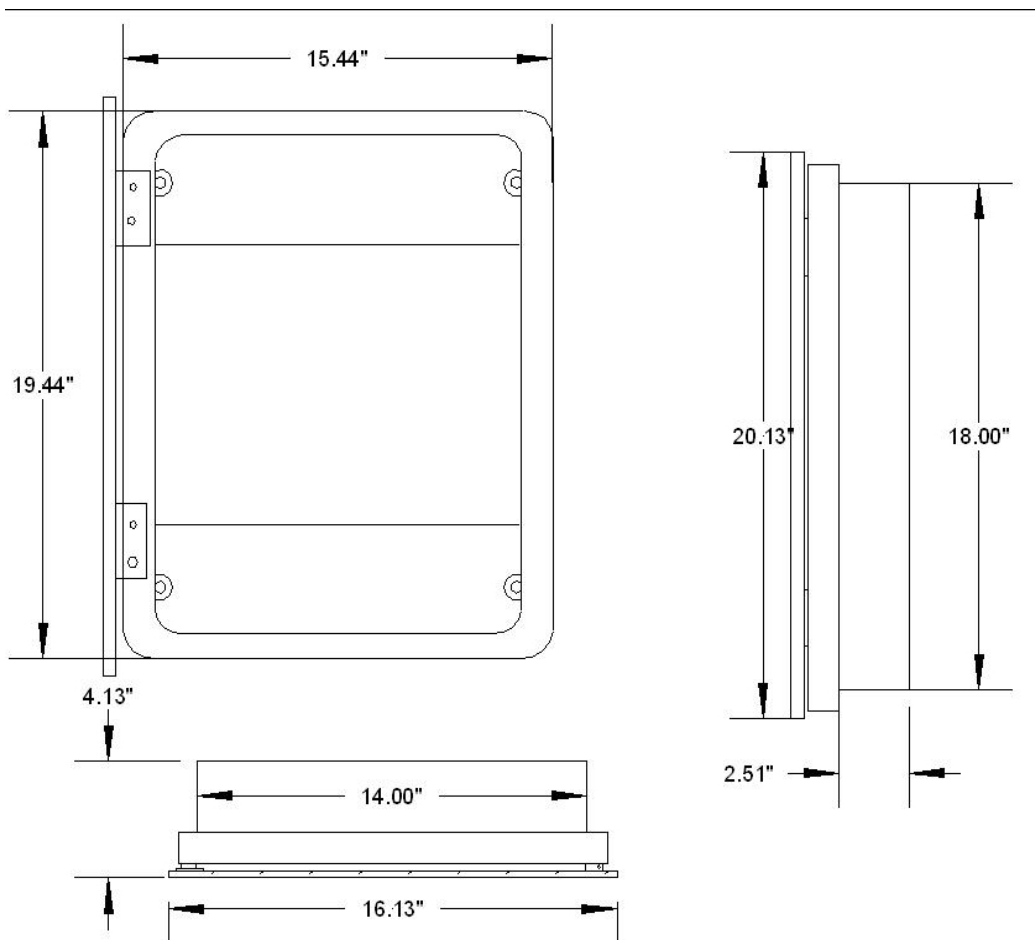


Product Data Specifications

VISTA-Model#9600R1(4) Recessed or 9600S1(4) Surface Mounted SS Framed Medicine Cabinet

MIRROR:	16" x 20" Single Strength (.09375) CCE
OVERALL SIZE:	16 1/8" x 20 1/8" x 4-1/8"
DOOR FILLER:	275 lbs. test A-Flute Corrugated Pad
ROUGH OPENING:	14" x 18" x 2-1/2" STORAGE DEPTH: 3-1/2"
SHELVES:	2 fixed injection molded styrene
HINGE:	2 G40 galvanized split butt 2.5" hinges
DOOR OPERATION:	One riveted steel clip closure mechanism
MOUNTING HARDWARE:	4 #8 x 1 1/2" Steel Tapping Screws
FRAME MATERIAL:	16.125 x 20.125 .015 Thickness x 3/8" Wide Type 430 Stainless Steel Frame Coated with Protective Flexible PVC Film
REVERSIBLE:	Yes
DOOR BACKING:	White High Impact Polystyrene .060 Thickness
CABINET:	Injection Molded in White Surface Mount OD: 15.5" x 19.5" Typical Wall Thickness .110 Material: High Impact Polystyrene All Color Non-Toxic

Recessed



Surface Mount

