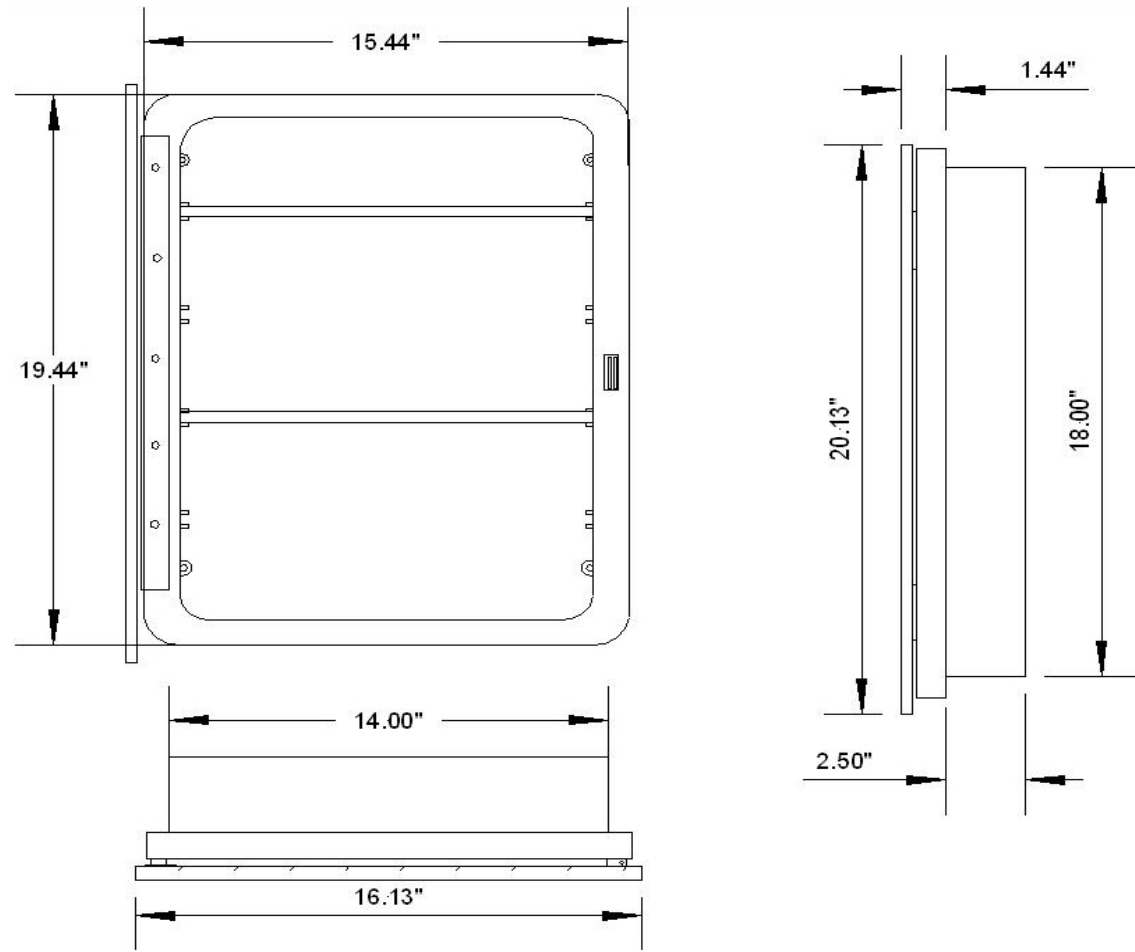


Vista - Model #9600AR1BN Recessed or 96001AS1BN Surface Mount Medicine Cabinet

|                           |  |
|---------------------------|--|
| <b>MIRROR:</b>            | 16" x 20" x 3/32" Clean Cut Edge   |
| <b>OVERALL SIZE:</b>      | 16 1/8" x 20 1/8" x 4-1/4"   |
| <b>ROUGH OPENING:</b>     | 14" x 18" x 2-1/2"   |
| <b>SHELVES:</b>           | 2 adjustable white plastic injection molded & 1 Fixed Styrene  |
| <b>DOOR FILLER:</b>       | 275 lbs. test A-Flute Corrugated Pad   |
| <b>HINGE:</b>             | 1 17" G40 galvanized   |
| <b>DOOR OPERATION:</b>    | One riveted stainless steel striker plate and magnetic catch closure mechanism   |
| <b>MOUNTING HARDWARE:</b> | 4 #8 x 1 1/2"(recessed)  |
| <b>FRAME MATERIAL:</b>    | 16.125 x 20.125 .015 Thickness x 3/8" Wide<br>Type 430 Stainless Steel with #4 Brushed Finish<br>Miter by #8 Pan Head Phillips<br>Frame Coated with Protective Flexible PVC Film |
| <b>REVERSIBLE:</b>        | Yes  |
| <b>DOOR BACKING:</b>      | White High Impact Polystyrene .060 Thickness   |
| <b>CABINET:</b>           | Injection Molded in White Typical Wall Thickness .110<br>Material: High Impact Polystyrene All Color Non-Toxic   |

## Recessed



# Surface Mount

