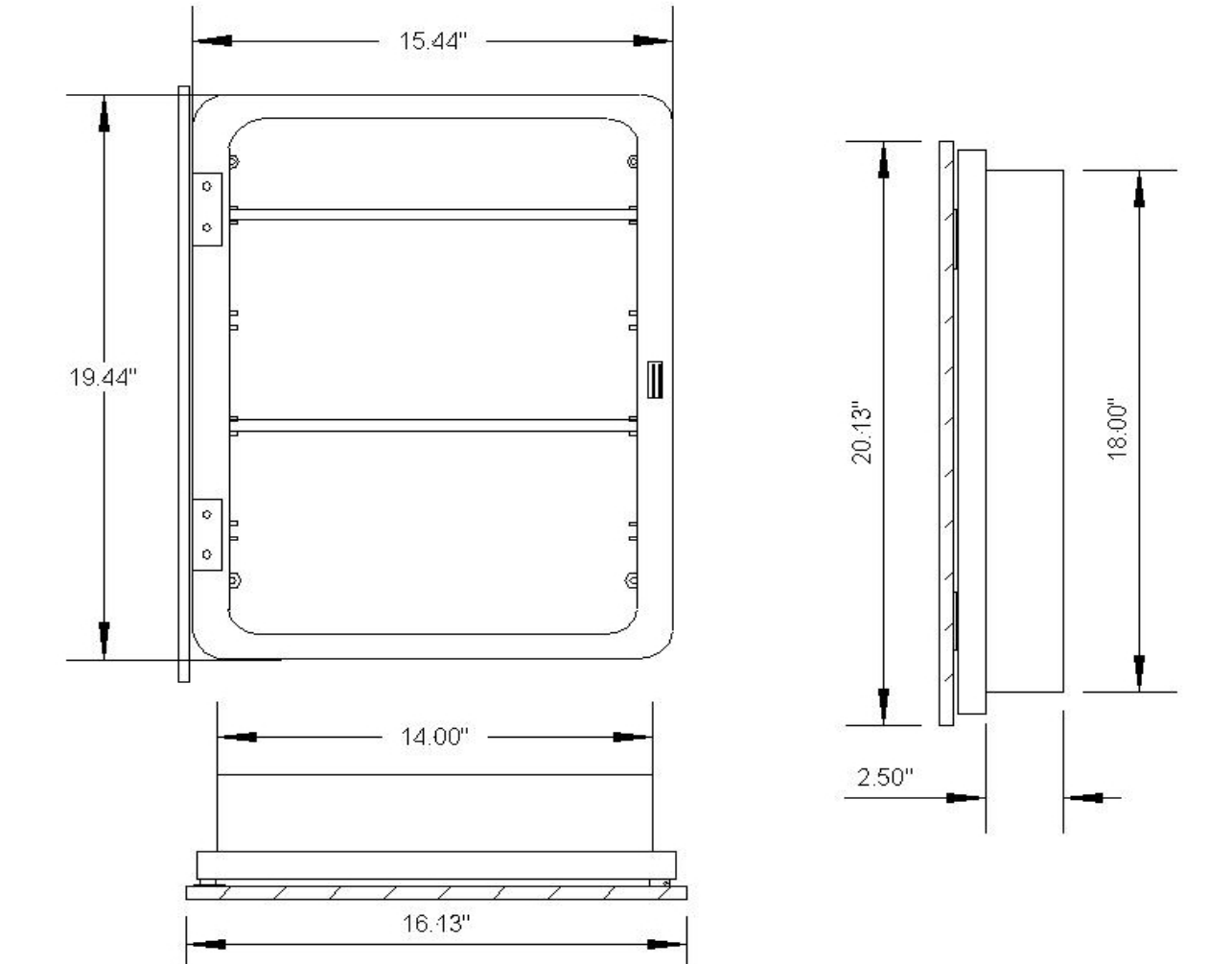


Vista - Model #96001BR1(4) Recessed or 96001BS1(4) Surface Mount Medicine Cabinet

MIRROR:	16" x 20" x 3/32" Clean Cut Edge
OVERALL SIZE:	16 1/8" x 20 1/8" x 4-1/4"
ROUGH OPENING:	14" x 18" x 2-1/2"
SHELVES:	2 adjustable white plastic injection molded & 1 Fixed Styrene
DOOR FILLER:	275 lbs. test A-Flute Corrugated Pad
HINGE:	2 2.5" Split Butt G40 galvanized
DOOR OPERATION:	One riveted stainless steel striker plate and magnetic catch closure mechanism
MOUNTING HARDWARE:	4 #8 x 1 1/2"(recessed)
FRAME MATERIAL:	16.125 x 20.125 .015 Thickness x 3/8" Wide Type 430 Polished Stainless Steel Miter by #8 Pan Head Phillips Frame Coated with Protective Flexible PVC Film
REVERSIBLE:	Yes
DOOR BACKING:	White High Impact Polystyrene .060 Thickness
CABINET:	Injection Molded in White Typical Wall Thickness .110 Material: High Impact Polystyrene All Color Non-Toxic

Recessed



Surface Mount

