

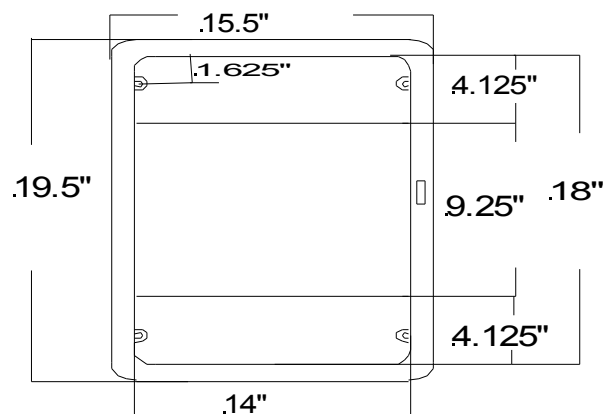
American Pride - 526 Crest Road - Flat Rock, NC 28731  
828-697-8847 Fax 828-697-7094

### Product Data Specifications

VISTA - Model # 96001CR Recessed or 96001CS Surface Mount Medicine Cabinet

<b>MIRROR:</b>	16" x 20" Single Strength (.09375) CCE
<b>OVERALL SIZE:</b>	16 1/8" x 20 1/8" x 4-1/8"
<b>ROUGH OPENING:</b>	14" x 18" x 2-1/2"
<b>SHELVES:</b>	2 fixed injection molded
<b>DOOR FILLER:</b>	275 lbs. test A-Flute Corrugated Pad
<b>HINGE:</b>	2 2.5" Tri-brite galvanized split butt hinges
<b>DOOR OPERATION:</b>	One riveted stainless steel striker plate and magnetic catch closure mechanism
<b>MOUNTING HARDWARE:</b>	4 #8 x 1 1/2" Steel Tapping Screws
<b>FRAME MATERIAL:</b>	16.125 x 20.125 .018 Thickness Type 430 Stainless Steel Miter by #8 Pan Head Phillips Frame Coated with Protective Flexible PVC Film
<b>REVERSIBLE:</b>	Yes
<b>DOOR BACKING:</b>	White High Impact Polystyrene .060 Thickness
<b>CABINET:</b>	Injection Molded in White Surface Mount OD: 15.5" x 19.5" Typical Wall Thickness .110 Material: High Impact Polystyrene All Color Non-Toxic

## 96 (Standard, 1C or 1D) Plastic(Polystyrene) Recessed or Surface Mounted Cabinet



**Storage Depth(3.5")**  
**Covers up 15.5" x 19.5"**  
**3 Fixed Shelves**  
**R.O.(14" x 18"x 2.5")**