

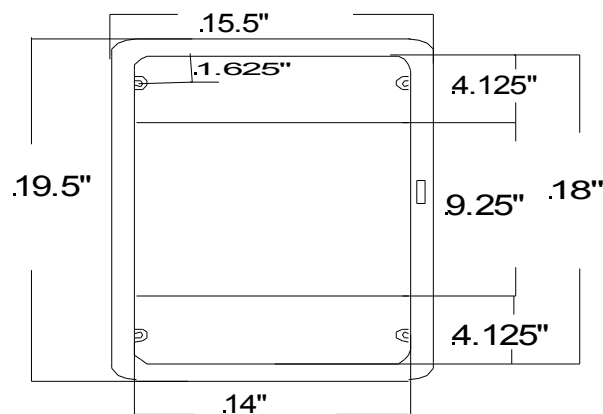
American Pride - 526 Crest Road - Flat Rock, NC 28731
828-697-8847 Fax 828-697-7094

Product Data Specifications

VISTA - Model # 96001CR1BN Recessed or 96001CS1BN Surface Mount Brushed Nickel

MIRROR:	16" x 20" Single Strength (.09375) CCE
OVERALL SIZE:	16 1/8" x 20 1/8" x 4-1/8"
ROUGH OPENING:	14" x 18" x 2-1/2"
SHELVES:	2 fixed injection molded
DOOR FILLER:	275 lbs. test A-Flute Corrugated Pad
HINGE:	2 2.5" Tri-brite galvanized split butt hinges
DOOR OPERATION:	One riveted stainless steel striker plate and magnetic catch closure mechanism
MOUNTING HARDWARE:	4 #8 x 1 1/2" Steel Tapping Screws
FRAME MATERIAL:	16.125 x 20.125 .018 Thickness x 3/8" Wide Type 430 Stainless Steel #4 Satin Brush Finish Flexible PVC Film Miter by #8 Pan Head Phillips Frame Coated with Protective
REVERSIBLE:	Yes
DOOR BACKING:	White High Impact Polystyrene .060 Thickness
CABINET:	Injection Molded in White Surface Mount OD: 15.5" x 19.5" Typical Wall Thickness .110 Material: High Impact Polystyrene All Color Non-Toxic

96 (Standard, 1C or 1D) Plastic(Polystyrene) Recessed or Surface Mounted Cabinet



Storage Depth(3.5")
Covers up 15.5" x 19.5"
3 Fixed Shelves
R.O.(14" x 18"x 2.5")