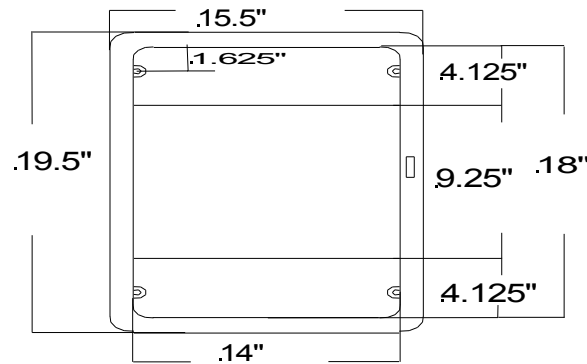


**American Pride- 526 Crest Road -Flat Rock, NC 28731
(828)697-8847 Fax (828)697-7094**

Style Liberty 9606WR1 Recessed or 9606WS1 Surface Mounted Med Cab

Door: 16" x 22" x 3/4" Pine Louvered Unfinished Stain Grade Square Top
Rough Opening: 14" x 18" x 2-1/2" With 3-1/2" storage depth
Overall Size: 16" x 22" x 4-1/2"
Door Catch: Steel Clip Closure Mechanism for mobile applications
Shelves: 3 Fixed white polystyrene shelves
Hinges: 2 Tri-Brite galvanized 2-1/2" Split Butt Hinges
Hardware: All hardware is zinc plated(magnetic catch, screws & hardware pack)
Cabinet: Injection Molded in White Typical Wall Thickness .110
Material: High Impact Polystyrene
All Color Non-Toxic

**96 (Standard, 1C or 1D) Plastic(Polystyrene)
Recessed or Surface Mounted Cabinet**



**Storage Depth(3.5")
Covers up 15.5" x 19.5"
3 Fixed Shelves
R.O.(14" x 18"x 2.5")**

****This unit comes unassembled with all hardware included****
*When installing hinge and strike plate for door
be sure to orient louvers correctly depending
on which way door will be opening
Louvers always face down when facing cabinet*