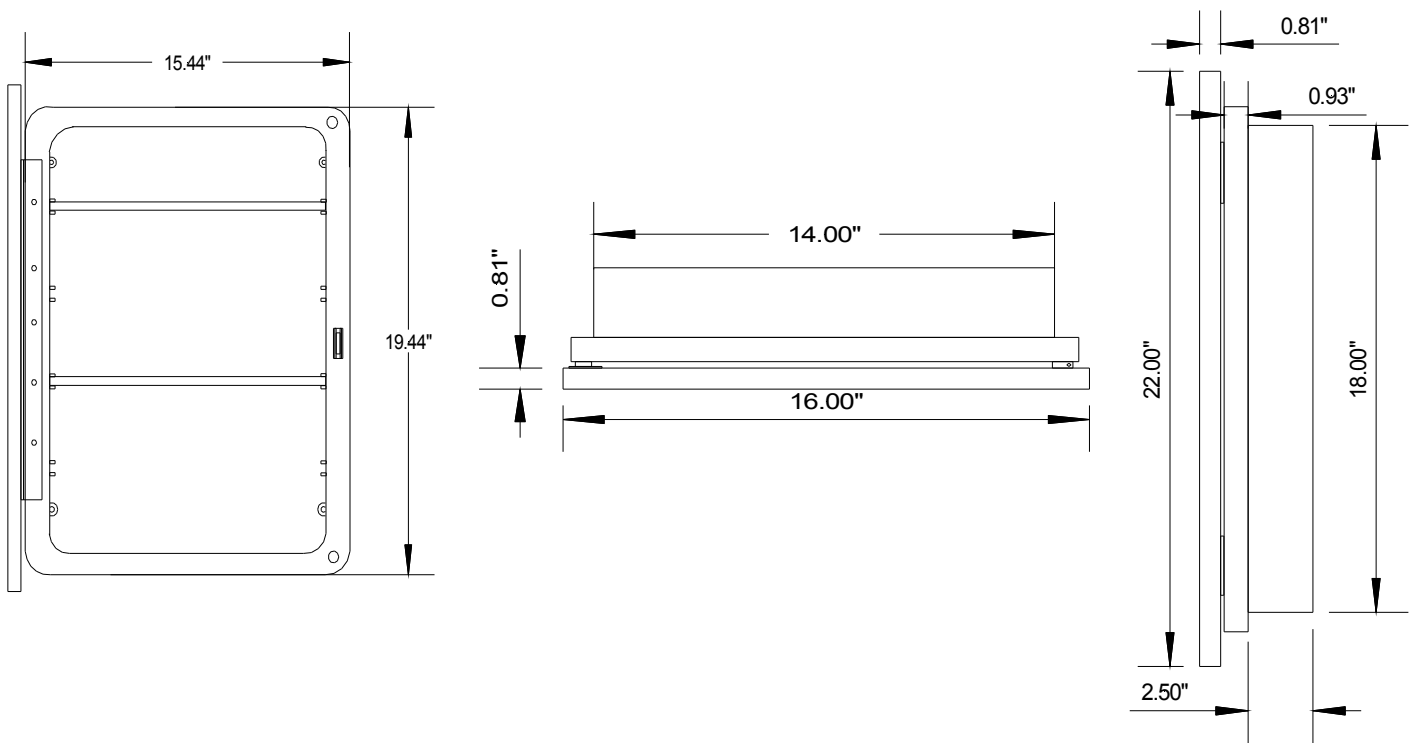


**American Pride- 526 Crest Road -Flat Rock, NC 28731
(828)697-8847 Fax (828)697-7094**

Style Liberty 9606W1AR1 Recessed or 9606W1AS1 Surface Mounted Med Cab

- Door: 16" x 22" Wood Louvered Unfinished Stain Grade Square Top
Rough Opening: 14" x 18" x 2-1/2" With 3-1/2" storage depth
Door Catch: Magnetic catch with riveted striker plate
Shelves: 2 adjustable white polystyrene shelves and 1 fixed white styrene
Hinges: 1 17" piano hinge G40 galvanized
Hardware: All hardware is zinc plated(magnetic catch, screws & hardware pack)
Cabinet: Injection Molded in White Typical Wall Thickness .110
Material: High Impact Polystyrene All Color Non-Toxic
This unit comes unassembled with all hardware included



*When installing hinge and strike plate for door
be sure to orient louvers correctly depending
on which way door will be opening
Louvers always face down when facing cabinet*

