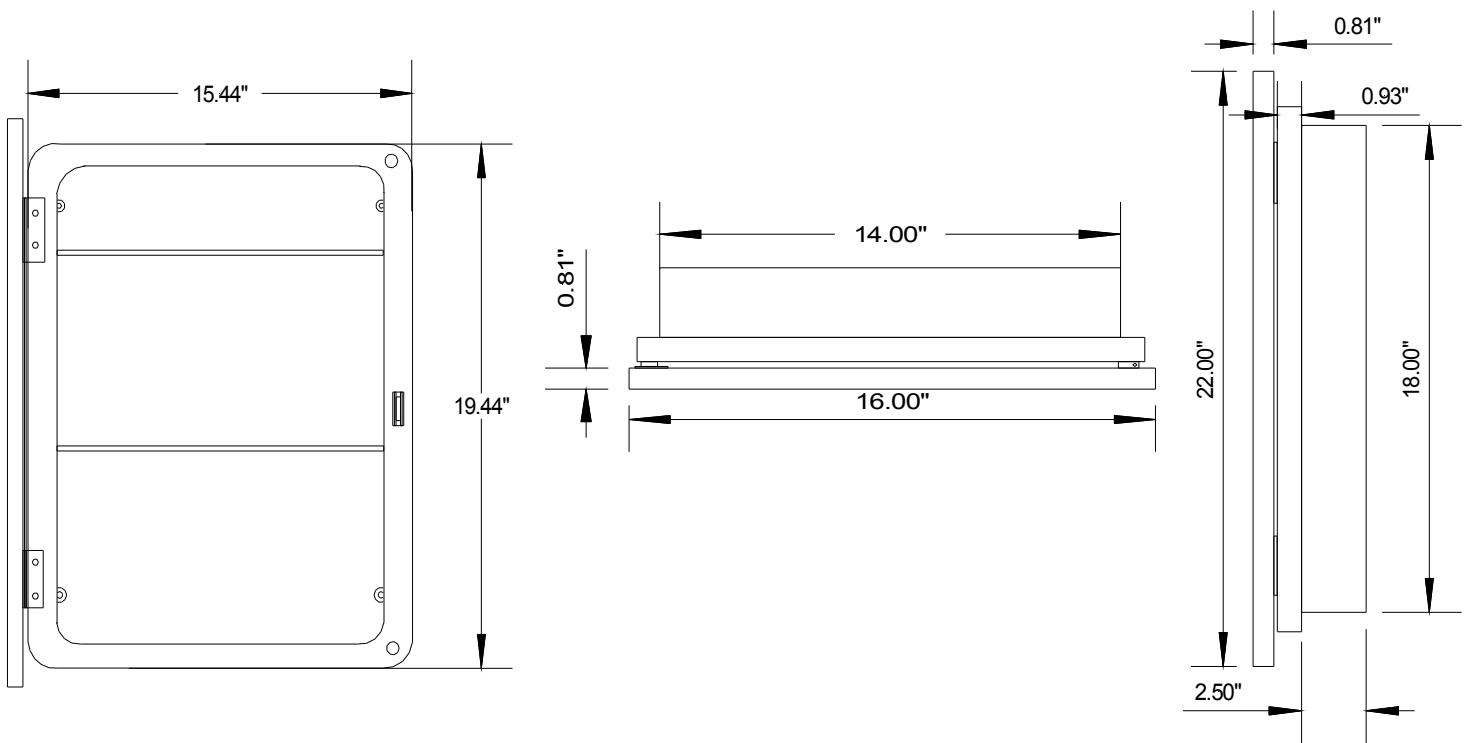


**American Pride- [www.apcabinets.com](http://www.apcabinets.com)  
(828)697-8847 Fax (828)697-7094**

Style Liberty 9606W1CR1 Recessed or 9606W1CS1 Surface Mounted Med Cab

Door: 16" x 22" Wood Louvered Unfinished Stain Grade Square Top  
Rough Opening: 14" x 18" x 2-1/2" With 3-1/2" storage depth  
Door Catch: Magnetic catch with screw fastened striker plate  
Shelves: 3 Fixed white polystyrene shelves  
Hinges: 2 2-1/2" Hinges Galvanized(G40)  
Hardware: All hardware is zinc plated(magnetic catch, screws & hardware pack)  
Cabinet: Injection Molded in White Typical Wall Thickness .110  
Material: High Impact Polystyrene All Color Non-Toxic  
\*\*This unit comes unassembled with all hardware included\*\*



*When installing hinge and strike plate for door  
be sure to orient louvers correctly depending  
on which way door will be opening  
Louvers always face down when facing cabinet*

