

## American Pride

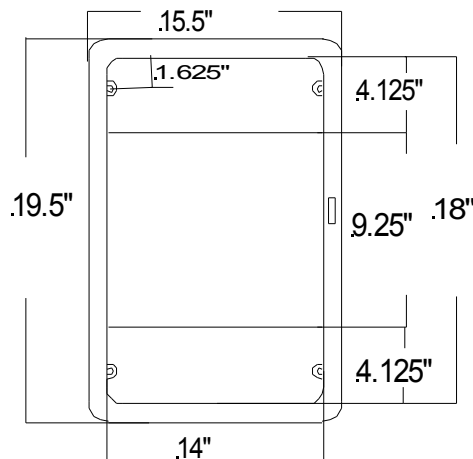
526 Crest Road – Flat Rock, NC 28731 828-697-8847 Fax 828-697-7094

### Product Data Specifications

HORIZON - Model # (960M221C Recessed) or (960M221CS Surface Mount) Medicine Cabinet

<b>DOOR/MIRROR:</b>	16 1/4" x 22 1/4" x 1/8" Thickness w/ Polished Edge High impact polystyrene door backing bonded to mirror with double faced tape and specially formulated bonding agent
<b>OVERALL SIZE:</b>	16 1/4" x 22 1/4" x 4 7/16"
<b>ROUGH OPENING:</b>	14" x 18" x 2-1/2"(Surface Mount Covers up 15-1/2 x 19-1/2" )
<b>STORAGE DEPTH:</b>	3-1/2"
<b>SHELVES:</b>	3 fixed, injection molded polystyrene
<b>HINGE:</b>	2 Tri-brite galvanized split butt 2.5" hinges
<b>DOOR OPERATION:</b>	One riveted stainless steel striker plate and magnetic catch closure mechanism
<b>MOUNTING HARDWARE:</b>	4 #8 x 1 1/2" Steel Tapping Screws
<b>REVERSIBLE:</b>	Yes
<b>DOOR BACKING:</b>	White High Impact Polystyrene .060 Thickness Injection Molded in White Recessed: 14" x 18"
<b>CABINET:</b>	Typical Wall Thickness .085 Material: High Impact Polystyrene All Color Non-Toxic 1.5 Notched Izod (minimum) Specific Gravity 1.05, 73°/28° F Heat Deflection Annealed, 264 psi 185 Vicat Softening Point, °F 202 °C 94 Tensile Strength at yield (2.0 in/min) psi 3400 Ultimate Elongation % (0.2 in/min)(5mm/min) 35 Flexular Modulus (0.05 in/min) psi 300,000 Hardness, Rockwell M 20 Izod Impact, 1/4" – 8.4 mm @ 78°F/23°C 1.4 ft.-lb. 75 J/m

## 96 (Standard, 1C or 1D) Plastic(Polystyrene) Recessed or Surface Mounted Cabinet



Storage Depth(3.5")  
Covers up 15.5" x 19.5"  
3 Fixed Shelves  
R.O.(14" x 18"x 2.5")