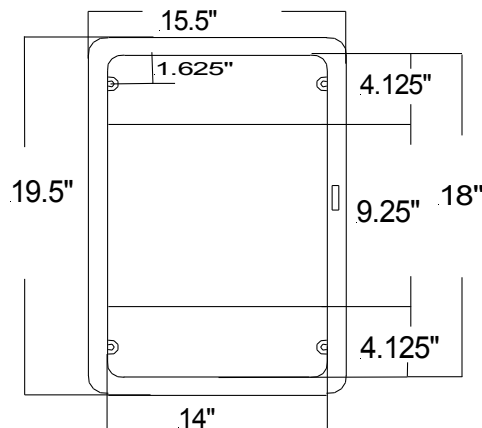


Product Data Specifications

HORIZON - Model # 96OM221DR1 or R4 Recessed or 960M221DS1 or S4 Surface Mount Medicine Cabinet

DOOR/MIRROR:	16 1/4" x 22 1/4" x 1/8" Thickness with 1 pass polished edges High impact polystyrene door backing bonded to mirror with double faced tape and specially formulated bonding agent.
DOOR BACKING:	White High Impact Polystyrene .060 Thickness
OVERALL SIZE:	16 1/4" x 22 1/4" x 3-7/8"
ROUGH OPENING:	14" x 18" x 2 1/2" STORAGE DEPTH: 3-1/2"
SHELVES:	3 fixed molded polystyrene
HINGE:	1 G40 galvanized 17" Piano Hinge
DOOR OPERATION:	One riveted stainless steel striker plate and magnetic catch closure mechanism
MOUNTING HARDWARE:	4 #8 x 1 1/2" Steel Tapping Screws
REVERSIBLE:	Yes
CABINET:	Injection Molded in White Typical Wall Thickness .110 Material: High Impact Polystyrene All Color Non-Toxic

96 (Standard, 1C or 1D) Plastic(Polystyrene) Recessed or Surface Mounted Cabinet



Storage Depth(3.5")
Covers up 15.5" x 19.5"
3 Fixed Shelves
R.O.(14" x 18"x 2.5")