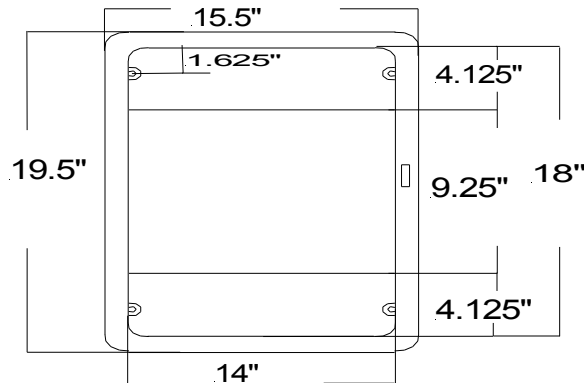


American Pride - 526 Crest Road - Flat Rock, NC 28731  
 828-697-8847 Fax 828-697-7094  
**Product Data Specifications**

Deerfield Model#9610R1W(Painted White on Maple) or 9610R1CL(Classic Oak)  
For Surface Mounted Cabinets Replace "R" with "S"

**MIRROR:** 14" x 20" Single Strength (.09375) CCE  
**OVERALL SIZE:** 16-5/8" x 22-5/8" x 4-1/2"  
**ROUGH OPENING:** 14" x 18 x 2.5" **STORAGE DEPTH:** 3.5"  
**SHELVES:** 3 fixed white styrene  
**HINGE:** 2 Tri-Brite galvanized 2-1/2" Split Butt hinges  
**DOOR OPERATION:** One Riveted Steel Clip Zinc Plated for Mobile applications  
**MOUNTING HARDWARE:** 4 #8 x 1 1/2" Steel Tapping Screws 4 #10 x 2-1/2" for Surface  
**FRAME MATERIAL:** Classic Finish(CL) is 3/4" Oak and White Finish(W) is 3/4" Maple  
**REVERSIBLE:** Yes  
**DOOR BACKING:** White High Impact Polystyrene .060 Thickness  
**CABINET:** Injection Molded in White  
**For Surface Mount OD: 15.5" x 19.5" x 4"**  
 Typical Wall Thickness .110 Material: High Impact Polystyrene  
 All Color Non-Toxic 1.5 Notched Izod (minimum)  
 Specific Gravity 1.05, 73 /28 F Heat Deflection Annealed, 264 psi 185  
 Vicat Softening Point, °F 202 °C 94  
 Tensile Strength at yield (2.0 in/min) psi 3400  
 Ultimate Elongation % (0.2 in/min)(5mm/min) 35  
 Flexular Modulus (0.05 in/min) psi 300,000 Hardness, Rockwell M 20  
 Izod Impact, 1/4" - 8.4 mm @ 78 F/23 C 1.4 ft.-lb. 75 J/m

96 (Standard, 1C or 1D) Plastic(Polystyrene)  
 Recessed or Surface Mounted Cabinet



**Storage Depth(3.5")**  
**Covers up 15.5" x 19.5"**  
**3 Fixed Shelves**  
**R.O.(14" x 18"x 2.5")**