

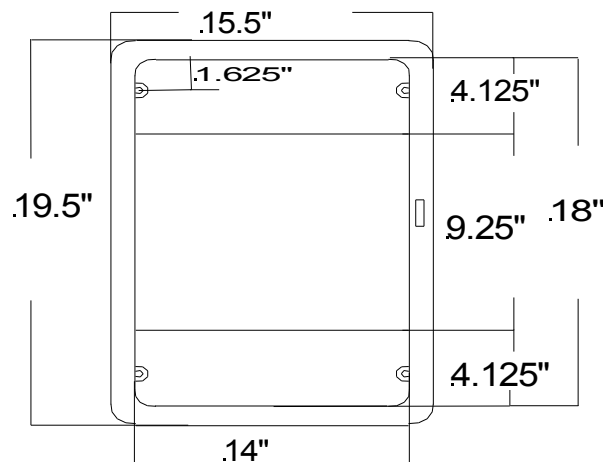
American Pride – 526 Crest Road - Flat Rock, NC 28731 828-697-8847

Product Data Specifications

Winston - Model # 9610XR1(CA)Carolina, 9610XR1CL(Classic),9610XR1CH(Cherry), 9610XR1HE(Heritage), & 9610XR1MA(Maple) Recessed or For Surface Mounted USE "S" instead of R example 9610XS1CH

MIRROR:	13-13/16" x 17-13/16" x .0788" CCE
OVERALL SIZE:	16-3/4" x 20-5/8" x 4-1/2"
ROUGH OPENING:	14" x 18" x 2-1/2"(Actual cabinet size 13-1/2" x 17-1/2")
STORAGE DEPTH:	3-1/2" SHELVES: 3 fixed, injection molded polystyrene
HINGE:	2 Tri-brite galvanized split butt 2.5" hinges
DOOR OPERATION:	Riveted Spring Clip catch for on the move applications(Eg. RV, Boats, etc)
MOUNTING HARDWARE:	4 #8 x 1 1/2" Steel Tapping Screws
FRAME MATERIAL:	16-3/4" x 20-5/8" x 3/4" MDF Paper Wrapped in the 5 finishes above
REVERSIBLE:	Yes
DOOR BACKING:	White High Impact Polystyrene .060 Thickness
CABINET:	Injection Molded in White Recessed: 14" x 18" x 2.5" Typical Wall Thickness .110 Material: High Impact Polystyrene All Color Non-Toxic 1.5 Notched Izod (minimum) Specific Gravity 1.05, 73°/28° F Heat Deflection Annealed, 264 psi 185 Vicat Softening Point, °F 202 °C 94 Tensile Strength at yield (2.0 in/min) psi 3400 Ultimate Elongation % (0.2 in/min)(5mm/min) 35 Flexular Modulus (0.05 in/min) psi 300,000 Hardness, Rockwell M 20 Izod Impact, 1/4" – 8.4 mm @ 78°F/23°C 1.4 ft.-lb.75 J/m
SURFACE MOUNTING	USE "S" instead of R when ordering example 9610XS1CH

96 (Standard, 1C or 1D) Plastic(Polystyrene) Recessed or Surface Mounted Cabinet



Storage Depth(3.5")
Covers up 15.5" x 19.5"
3 Fixed Shelves
R.O.(14" x 18"x 2.5")