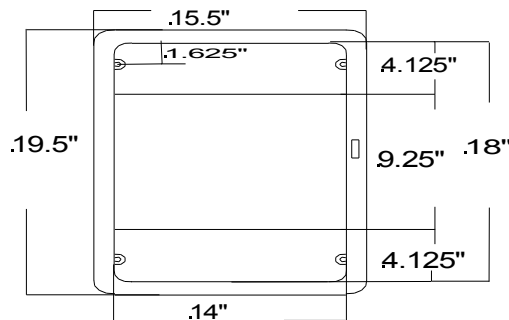


**American Pride – 526 Crest Road – Flat Rock, NC 28731
828-697-8847 Fax 828-697-7094**

Style Cabinet #9612RP Raised White Panel

Door: 16" x 20" x 5/8" Raised White Panel Door
 Mirror: Not applicable
 Door Catch: Screwed on striker plate with 3-7 lb. Magnet
 Shelves: 2 fixed white polystyrene shelves
 Hinges: 2 2.5" Tri Brite hinges
 Hardware: All hardware is zinc plated(hinges, magnetic catch, screws & hardware pack)
 Cabinet: Injection Molded in White
 Rough Opening 14" x 18" x 2-3/8" Storage Depth 3-5/8"
 Covers up 15-1/2" x 19-1/2" Non-Sleeved
 Typical Wall Thickness .110 Material: High Impact Polystyrene
 All Color Non-Toxic 1.5 Notched Izod(minimum)
 Specific Gravity 1.05, 73°/28° Heat Deflection annealed, 264 psi 185
 Vicat Softening Point, °F 202 °C 94 Tensile Strength at yield (2.0 in/min) psi 3400
 Ultimate Elongation %(0.2 in/min)(5 mm/min) 35
 Flexular Modulus (0.05 in/min) psi 300,000 Hardness, Rockwell M 20
 Izod Impact, 1/4" - 8.4 mm @ 78° F/23°C 1.4 ft.-lb. 75 J/M

**96 (Standard, 1C or 1D) Plastic(Polystyrene)
Recessed or Surface Mounted Cabinet**



**Storage Depth(3.5")
Covers up 15.5" x 19.5"
3 Fixed Shelves
R.O.(14" x 18"x 2.5")**

MODEL NO	DESCRIPTION
9612RPR1	16X20 RAISPANL FS BH MC RC 1PK
9612RPR4	16X20 RAISPANL FS BH MC RC 4PK
9612RPS1	16X20 RAISPANL FS BH MC SM 1PK
9612RPS4	16X20 RAISPANL FS BH MC SM 4PK

FS= Fixed Shelves	RC= Recessed
BH= Butt Hinges	SM= Surface Mount
MC= Magnetic Catch	1PK= 1 pc per carton/pack
	4PK= 4 pcs per carton/pack