

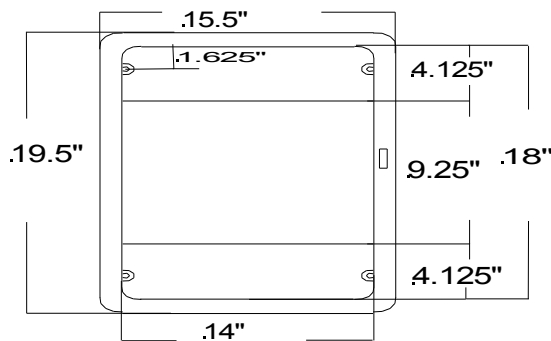
American Pride-526 Crest Road – Flat Rock, NC 28731  
 828-697-8847 Fax 828-697-7094

**Product Data Specifications**

VISTA - Model # 9622R1 Recessed or 9622S1 Surface Mounted Medicine Cabinet

<b>MIRROR:</b>	16" x 22" Single Strength (.09375) CCE
<b>OVERALL SIZE:</b>	16 1/8" x 22 1/8"
<b>ROUGH OPENING:</b>	14" x 18" x 2-1/2"
<b>SHELVES:</b>	2 fixed injection molded styrene
<b>DOOR FILLER:</b>	275 lbs. test A-Flute Corrugated Pad
<b>HINGE:</b>	2 Tri-brite galvanized split butt 2.5" hinges
<b>DOOR OPERATION:</b>	One riveted steel clip closure mechanism
<b>MOUNTING HARDWARE:</b>	4 #10 x 2 1/2" Steel Tapping Screws
<b>FRAME MATERIAL:</b>	16.125 x 22.125 .018 Thickness Type 430 Stainless Steel Miter by #8 Pan Head Phillips Frame Coated with Protective Flexible PVC Film
<b>REVERSIBLE:</b>	Yes
<b>DOOR BACKING:</b>	White High Impact Polystyrene .060 Thickness
<b>CABINET:</b>	Injection Molded in White Surface Mount OD: 15.5" x 19.5" Typical Wall Thickness .110 Material: High Impact Polystyrene All Color Non-Toxic 1.5 Notched Izod (minimum) Specific Gravity 1.05, 73°/28° F Heat Deflection Annealed, 264 psi 185 Vicat Softening Point, °F 202 °C 94 Tensile Strength at yield (2.0 in/min) psi 3400 Ultimate Elongation % (0.2 in/min)(5mm/min) 35 Flexular Modulus (0.05 in/min) psi 300,000 Hardness, Rockwell M 20 Izod Impact, 1/4" – 8.4 mm @ 78°F/23°C 1.4 ft.-lb. 75 J/m

**96 (Standard, 1C or 1D) Plastic(Polystyrene)  
 Recessed or Surface Mounted Cabinet**



**Storage Depth(3.5")  
 Covers up 15.5" x 19.5"  
 3 Fixed Shelves  
 R.O.(14" x 18"x 2.5")**