

American Pride-526 Crest Road-Flat Rock, NC 28731

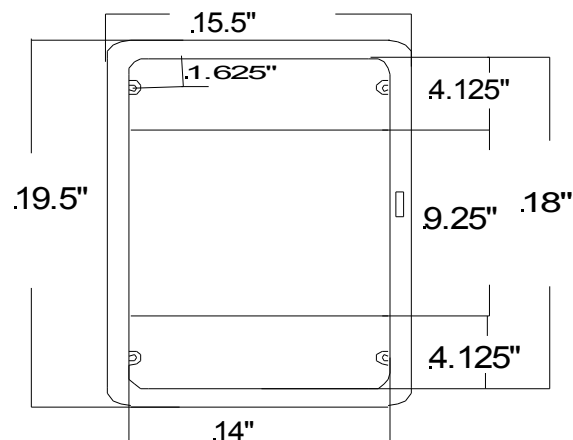
828-697-8847 Fax 828-697-7094

Product Data Specifications

VISTA - Model # 96221DR Recessed or 96221DS Surface Mounted Medicine Cabinet

MIRROR:	16" x 22" Single Strength (.09375) CCE
OVERALL SIZE:	16 1/8" x 22 1/8"
ROUGH OPENING:	14" x 18" x 2-1/2"
SHELVES:	2 Fixed injection molded white
DOOR FILLER:	275 lbs. test A-Flute Corrugated Pad
HINGE:	1 Tri-brite galvanized 17" piano hinge
DOOR OPERATION:	One riveted stainless steel striker plate and magnetic catch closure mechanism
MOUNTING HARDWARE:	4 #10 x 2 1/2" Steel Tapping Screws
FRAME MATERIAL:	16.125 x 22.125 .018 Thickness Type 430 Stainless Steel Miter by #8 Pan Head Phillips Frame Coated with Protective Flexible PVC Film
REVERSIBLE:	Yes
DOOR BACKING:	White High Impact Polystyrene .060Thickness
CABINET:	Injection Molded in White Surface Mount OD: 15.5" x 19.5" Typical Wall Thickness .110 Material: High Impact Polystyrene All Color Non-Toxic 1.5 Notched Izod (minimum) Specific Gravity 1.05, 73°/28° F Heat Deflection Annealed, 264 psi 185 Vicat Softening Point, °F 202 °C 94 Tensile Strength at yield (2.0 in/min) psi 3400 Ultimate Elongation % (0.2 in/min)(5mm/min) 35 Flexular Modulus (0.05 in/min) psi 300,000 Hardness, Rockwell M 20 Izod Impact, 1/4" – 8.4 mm @ 78°F/23°C 1.4 ft.-lb. 75 J/m

**96 (Standard, 1C or 1D) Plastic(Polystyrene)
Recessed or Surface Mounted Cabinet**



**Storage Depth(3.5")
Covers up 15.5" x 19.5"
3 Fixed Shelves
R.O.(14" x 18"x 2.5")**