

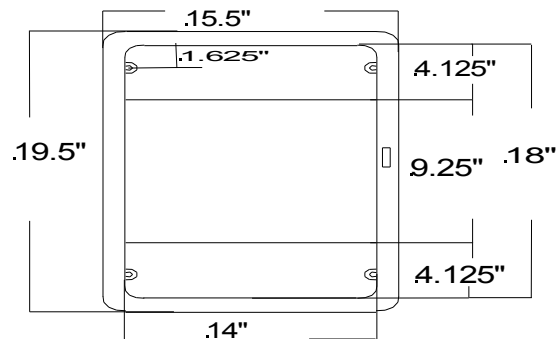
American Pride-526 Crest Road – Flat Rock, NC 28731  
828-697-8847 Fax 828-697-7094

**Product Data Specifications**

VISTA - Model # 9622PBR Recessed or 9622PBS Surface Mounted Medicine Cabinet

<b>MIRROR:</b>	16" x 22" Single Strength (.09375) CCE
<b>OVERALL SIZE:</b>	16 1/8" x 22 1/8" x 4-1/4"
<b>ROUGH OPENING:</b>	14" x 18" x 2-1/2"
<b>SHELVES:</b>	3 fixed injection molded styrene
<b>DOOR FILLER:</b>	275 lbs. test A-Flute Corrugated Pad
<b>HINGE:</b>	2 Tri-brite galvanized split butt 2.5" hinges
<b>DOOR OPERATION:</b>	One riveted steel clip closure for mobile applications
<b>MOUNTING HARDWARE:</b>	4 #8 x 1 1/2"(recessed)or #10 x 2 1/2"(Surface)Tapping Screws
<b>FRAME MATERIAL:</b>	16.125 x 22.125 x .018 Thickness x 3/8" Wide Solid Polished Brass Miter by #8 Pan Head Phillips Frame Coated with Protective Flexible PVC Film
<b>REVERSIBLE:</b>	Yes
<b>DOOR BACKING:</b>	White High Impact Polystyrene .060 Thickness
<b>CABINET:</b>	Injection Molded in White All Color Non-Toxic Typical Wall Thickness .110 Material: High Impact Polystyrene

**96 (Standard, 1C or 1D) Plastic(Polystyrene)  
Recessed or Surface Mounted Cabinet**



**Storage Depth(3.5")  
Covers up 15.5" x 19.5"  
3 Fixed Shelves  
R.O.(14" x 18"x 2.5")**