

**American Pride – 526 Crest Road Flat Rock, NC 28731
828-697-8847 Fax 828-697-7094**

Product Data Specifications

Harmony - Model # 9622WBDR Recessed or 9622WBDS Surface Mount Medicine Cabinet

DOOR/MIRROR: 16 1/4" x 22 1/4" x 1/8" Thickness with 1/2" Bevel.
High impact polystyrene door backing bonded to mirror with double faced tape and specially formulated bonding agent. Corners protected with PVC corner protectors taped in place

DOOR BACKING: White High Impact Polystyrene .060 Thickness

OVERALL SIZE: 16 1/4" x 22 1/4" x 3-7/8"

ROUGH OPENING: 14" x 18" x 2 1/2" **STORAGE DEPTH:** 3-1/2"

SHELVES: 3 fixed molded polystyrene

HINGE: 1 Tri-brite galvanized 17" Piano Hinge

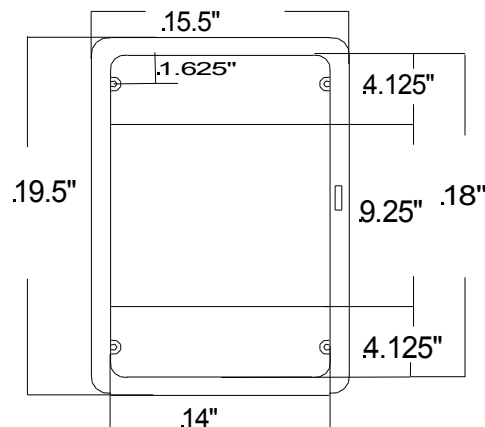
DOOR OPERATION: One riveted stainless steel striker plate and magnetic catch closure mechanism

MOUNTING HARDWARE: 4 #8 x 1 1/2" Steel Tapping Screws

REVERSIBLE: Yes

CABINET: Injection Molded in White Typical Wall Thickness .110
Material: High Impact Polystyrene
All Color Non-Toxic

96 (Standard, 1C or 1D) Plastic(Polystyrene)
Recessed or Surface Mounted Cabinet



Storage Depth(3.5")
Covers up 15.5" x 19.5"
3 Fixed Shelves
R.O.(14" x 18"x 2.5")