

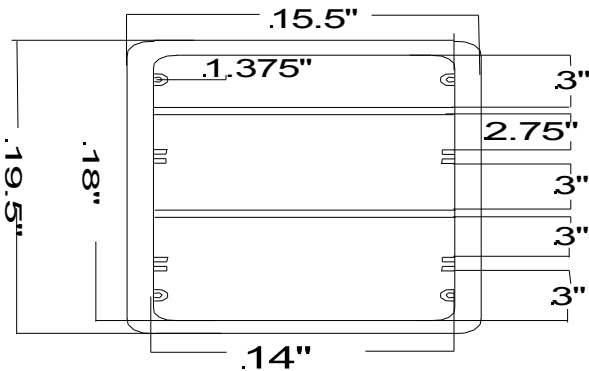
American Pride - 526 Crest Road - Flat Rock, NC 28731
828-697-8847 Fax 828-697-7094

Product Data Specifications

REFLECTION Model#9622WBOR Recessed or 9622WBORS Surface Mount Medicine Cabinet

- Mirror:** 16-3/16" x 22-1/4" Double Strength(.125) Frameless with one pass polished edges and 1/2" Bevel with 13" x 19" Small Polished Edge Oval Mirror bonded on top with double faced tape and specially formulated bonded agent . Corner Protectors taped on
- Door:** White High Impact Polystyrene .060 Thickness backing applied to mirror with double faced tape and special bonding adhesive
- Rough Opening:** 14" x 18" x 2-1/2" **Storage Depth:** 3-1/2"
- Door Catch:** Magnetic catch with riveted striker plate
- Shelves:** 2 adjustable white polystyrene and 1 Fixed white polystyrene
- Hinges:** 1 17" piano hinge Tri-Brite galvanized
- Hardware:** All hardware is zinc plated(magnetic catch, screws & hardware pack)
- Mounting Hardware:** 4 (#8 x 1-1/2" for recessed) and (#10x2-1/2" for surface) Screws
- Reversible:** Yes
- Cabinet:** Injection Molded in White Typical Wall Thickness .110
Material: High Impact Polystyrene All Color Non-Toxic

96 Series Adjustable Shelf Cabinet(1A and 1B) Plastic(Polystyrene) Recessed or Surface Mounted



Storage Depth(3.5")
Covers up 15.5" x 19.5"
2 White Adjustable
Polystyrene Shelves
1 Fixed White Polystyrene shelf
R.O.(14" x 18"x 2.5")

