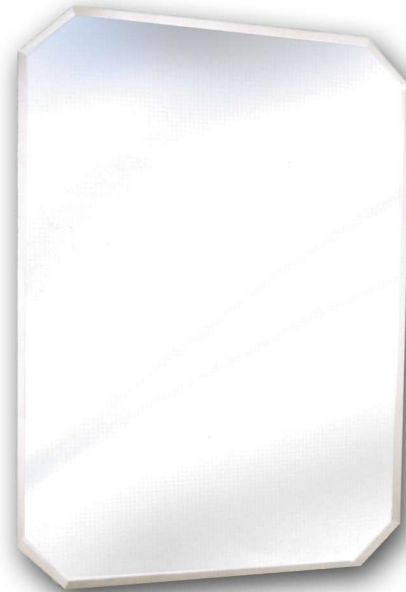
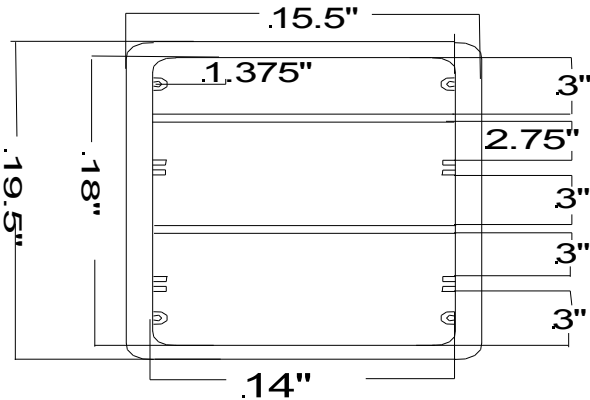


American Pride
526 Crest Road - Flat Rock, NC 28731 828-697-8847
Product Data Specifications

HARMONY - Model # 9624WBR Recessed or 9624WBS Surface Mount Medicine Cabinet

- Mirror:** 16-1/2" x 23-1/2" x Double Strength(.125) Frameless with polished edges With 1/2" Bevel
- Door:** White High Impact Polystyrene .060 Thickness backing applied to mirror with double faced tape and specially formulated bonding agent
- Rough Opening:** 14" x 18" x 2-1/2" **Storage Depth:** 3-1/2"
- Door Catch:** Magnetic catch with riveted striker plate
- Shelves:** 2 adjustable white polystyrene shelves and 1 Fixed Polystyrene
- Hinges:** 1 17" piano hinge Tri-Brite galvanized
- Hardware:** All hardware is zinc plated(magnetic catch, screws & hardware pack)
- Mounting Hardware:** 4 # 8 x 1-1/2" Steel Tapping Screws
- Reversible:** Yes
- Cabinet:** Injection Molded in White Typical Wall Thickness .110
Material: High Impact Polystyrene All Color Non-Toxic

96 Series Adjustable Shelf Cabinet(1A and 1B) Plastic(Polystyrene) Recessed or Surface Mounted



- Storage Depth(3.5")**
Covers up 15.5" x 19.5"
2 White Adjustable Polystyrene Shelves
1 Fixed White Polystyrene shelf
R.O.(14" x 18"x 2.5")