

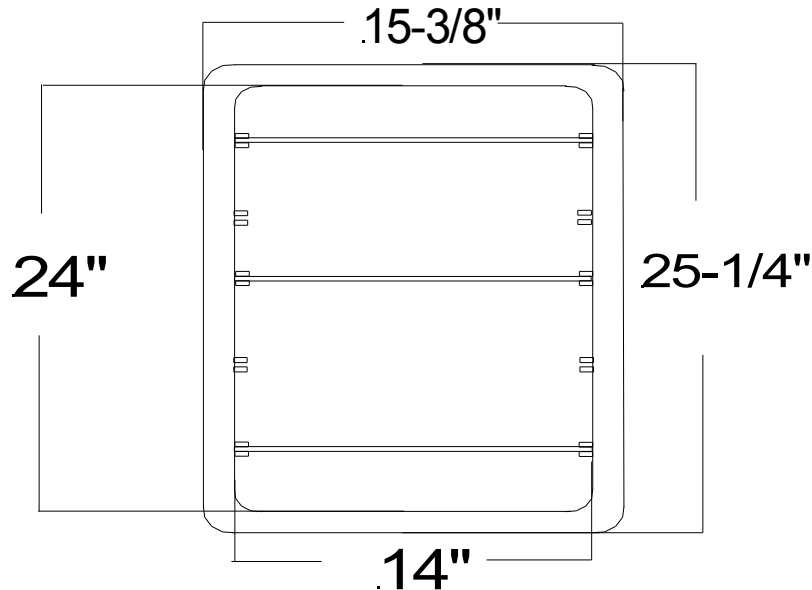
**American Pride - 526 Crest Road - Flat Rock, North Carolina 28731
828-697-8847 Fax 828-697-7094**

Product Data Specifications

Horizon Style 990M26R(Recessed) or 990M26S(Surface Mount) Medicine Cabinet

Door:	16-3/16"x 26-3/16" x 1/8" Flat Mirror with Single Pass Polished Edges and a high impact polystyrene door backing bonded to mirror with double faced tape and specially formulated bonding agent.		
Overall Size:	16-1/8"x 26-1/8" x 4"		
Rough Opening:	14" x 24" x 2-1/2"	Storage Depth: 3-1/2"	Projection from wall: 1-7/8"
Surface Mount:	Covers up to 15-3/8" x 25-1/4"		
Door Catch:	Magnetic catch with riveted striker plate		
Shelves:	3 adjustable white polystyrene and 1 fixed white polystyrene		
Hinges:	2 2.5" Tri-Brite galvanized split butt hinges		
Hardware:	All hardware is zinc plated(magnetic catch, screws & hardware pack)		
Cabinet:	Injection Molded in White	Typical Wall Thickness .110	
	Material: High Impact Polystyrene	All Color Non-Toxic	

99 Series(Standard and 1A)Plastic(Polystyrene) Recessed or Surface Mounted Cabinet



**Storage Depth(3.5")
Covers up 15.375" x 25.25"
3 White Adjustable
Polystyrene Shelves
1 Fixed White Polystyrene shelf
R.O.(14" x 24"x 2.5")**