

**American Pride - 526 Crest Road - Flat Rock, North Carolina 28731  
828-697-8847 Fax 828-697-7094**

**Product Data Specifications**

Deerfield - Model #9910R1W for recessed(W = White on Maple)or  
9910S1W for Surface mounted

**DOOR:** 16-1/2" x 27-3/4"x 3/4" Maple Painted White (W)  
Mirror is 14" x 25"x 3/32" Mirror  
and a polystyrene backer glued and screwed to frame

**DOOR BACKING:** White High Impact Polystyrene .060 Thickness

**ROUGH OPENING:** 14" x 24" x 2-1/2" **OVERALL SIZE:** 16-1/4" x 28" x 4-5/8"

**STORAGE DEPTH:** 3-1/2" **PROJECTION FROM WALL:** 2-1/8"

**SHELVES:** 3 adjustable white injection molded or 1 white fixed polystyrene

**HINGE:** 2 Tri Brite 2-1/2" Split Butt hinges

**DOOR OPERATION:** One riveted stainless steel striker plate and magnetic catch

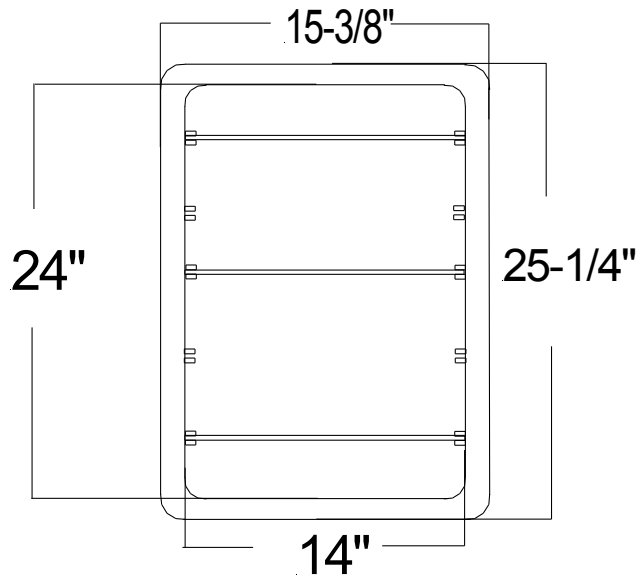
**MOUNTING HARDWARE:** 4 #8 x 1 1/2"(R) or #10 x 2-1/2"(S) Steel Tapping Screws

**REVERSIBLE:** Yes

**CABINET:** Injection Molded in White Typical Wall Thickness .110

**MATERIAL:** High Impact Polystyrene All Color Non-Toxic

**99 Series(Standard and 1A)Plastic(Polystyrene)  
Recessed or Surface Mounted Cabinet**



**Storage Depth(3.5")  
Covers up 15.375" x 25.25"  
3 White Adjustable  
Polystyrene Shelves  
1 Fixed White Polystyrene shelf  
R.O.(14" x 24"x 2.5")**