

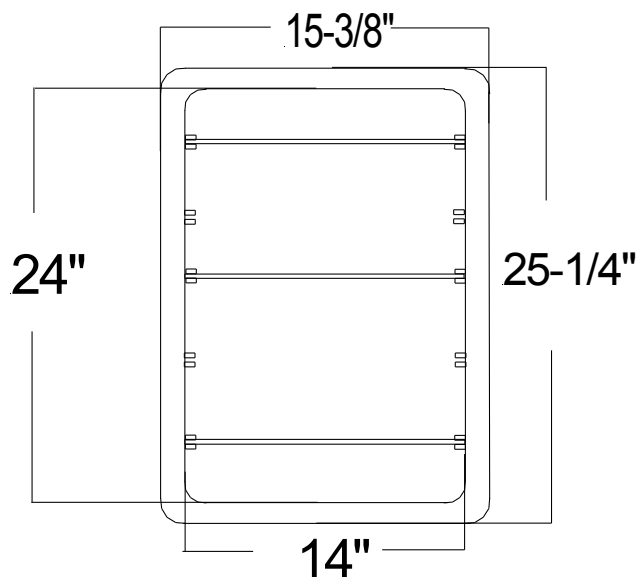
**American Pride - 526 Crest Road - Flat Rock, North Carolina 28731
828-697-8847 Fax 828-697-7094**

Product Data Specifications

Deerfield - Model #99101AR1W for recessed(W = White on Maple)or
99101AS1W for Surface mounted

DOOR:	16-1/2" x 27-3/4"x 3/4" Maple Painted White (W) Mirror is 14" x 25"x 3/32" Mirror and a polystyrene backer glued and screwed to frame
DOOR BACKING:	White High Impact Polystyrene .060 Thickness
ROUGH OPENING:	14" x 24" x 2-1/2" OVERALL SIZE: 16-1/4" x 28" x 4-5/8"
STORAGE DEPTH:	3-1/2" PROJECTION FROM WALL: 2-1/8"
SHELVES:	3 adjustable white injection molded or 1 white fixed polystyrene
HINGE:	1 Galvanized 17" Piano hinge
DOOR OPERATION:	One riveted stainless steel striker plate and magnetic catch
MOUNTING HARDWARE:	4 #8 x 1 1/2"(R) or #10 x 2-1/2"(S) Steel Tapping Screws
REVERSIBLE:	Yes
CABINET:	Injection Molded in White Typical Wall Thickness .110
MATERIAL:	High Impact Polystyrene All Color Non-Toxic

99 Series(Standard and 1A)Plastic(Polystyrene) Recessed or Surface Mounted Cabinet



**Storage Depth(3.5")
Covers up 15.375" x 25.25"
3 White Adjustable
Polystyrene Shelves
1 Fixed White Polystyrene shelf
R.O.(14" x 24"x 2.5")**