

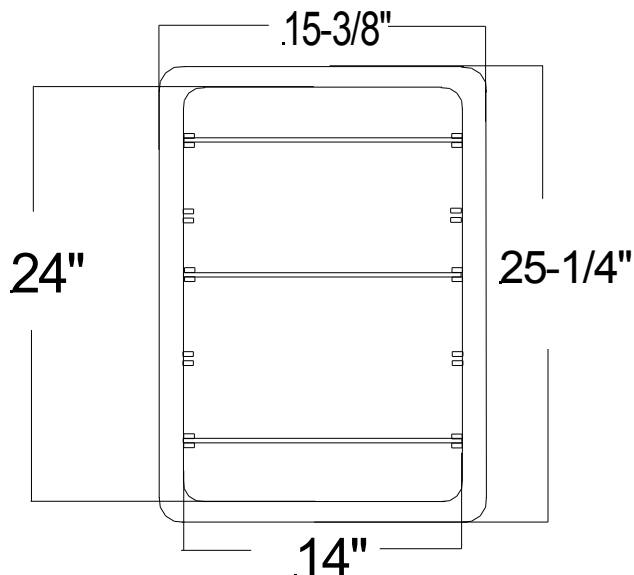
**American Pride - 526 Crest Road - Flat Rock, North Carolina 28731
828-697-8847 Fax 828-697-7094**

Product Data Specifications

Sunset Style 9926PB1AR(Recessed) or 9926PB1AS1(Surface Mount) Medicine Cabinet

Door:	16-1/8" x 26-1/8" x 3/8" Brass Plated Steel with scratch resistant protective PVC Coating
Mirror:	16" x 26" x 3/32" Single Strength CCE mirror
Overall Size:	16-1/8" x 26-1/8" x 4-1/4" Rough Opening: 14" x 24" x 2-1/2"
Storage Depth:	3-1/2" Projection from wall: 1-7/8"
Surface Mount:	Covers up to 15-3/8" x 25-1/4"
Door Catch:	Magnetic catch with riveted striker plate
Shelves:	3 adjustable white polystyrene and 1 fixed white polystyrene
Hinges:	1 Tri-Brite galvanized 17" piano hinge
Hardware:	All hardware is zinc plated(magnetic catch, screws & hardware pack)
Cabinet:	Injection Molded in White Typical Wall Thickness .110 Material: High Impact Polystyrene All Color Non-Toxic

99 Series(Standard and 1A)Plastic(Polystyrene) Recessed or Surface Mounted Cabinet



**Storage Depth(3.5")
Covers up 15.375" x 25.25"
3 White Adjustable
Polystyrene Shelves
1 Fixed White Polystyrene shelf
R.O.(14" x 24"x 2.5")**