

**American Pride - 526 Crest Road - Flat Rock, North Carolina 28731  
828-697-8847 Fax 828-697-7094**

## **Product Data Specifications**

### **Harmony Style 9926WBR(Recessed) or 9926WBS(Surface Mount) Medicine Cabinet**

**Door:** 16-3/16" x 26-3/16" x 1/8" with 1/2" Beveled Mirror and Single Pass Polished Edges and a high impact polystyrene door backing bonded to mirror with double faced tape and specially formulated bonding agent. PVC corner protectors taped on

**Overall Size:** 16-1/8" x 26-1/8" x 4"

**Rough Opening:** 14" x 24" x 2-1/2"      **Storage Depth:** 3-1/2"      **Projection from wall:** 1-7/8"

**Surface Mount:** Covers up to 15-3/8" x 25-1/4"

**Door Catch:** Magnetic catch with riveted striker plate

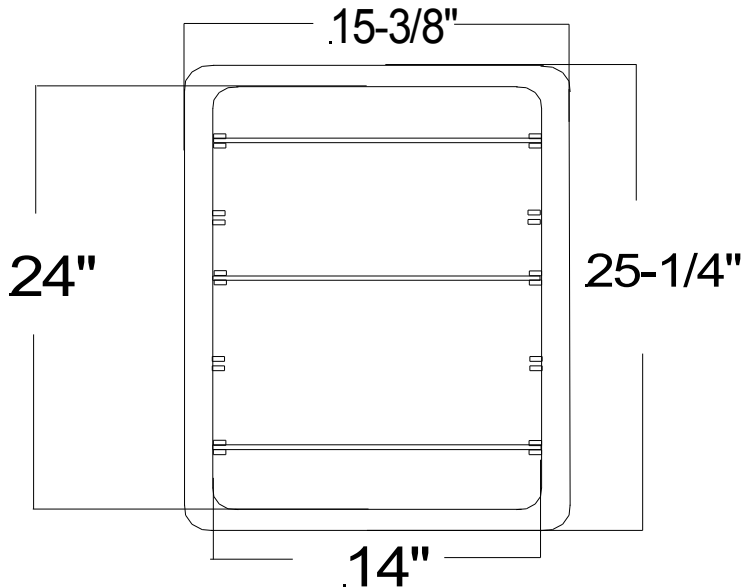
**Shelves:** 3 adjustable white polystyrene and 1 fixed white polystyrene

**Hinges:** 2 Tri-Brite galvanized 2-1/2" Split butt hinges

**Hardware:** All hardware is zinc plated(magnetic catch, screws & hardware pack)

**Cabinet:** Injection Molded in White      Typical Wall Thickness .110  
Material: High Impact Polystyrene      All Color Non-Toxic

### **99 Series(Standard and 1A)Plastic(Polystyrene) Recessed or Surface Mounted Cabinet**



**Storage Depth(3.5")  
Covers up 15.375" x 25.25"  
3 White Adjustable  
Polystyrene Shelves  
1 Fixed White Polystyrene shelf  
R.O.(14" x 24"x 2.5")**