

**American Pride - 526 Crest Road - Flat Rock, North Carolina 28731
828-697-8847 Fax 828-697-7094**

Product Data Specifications

Oxford Style 9931WBR(Recessed) or 9931WBS(Surface Mount) Medicine Cabinet

Door: 16-1/2" x 30-1/2" x 1/8" with 1/2" Beveled Octagonal Mirror and Single Pass Polished Edges and a high impact polystyrene door backing bonded to mirror with double faced tape and specially formulated bonding agent.

Overall Size: 16-1/2" x 30-1/2" x 4"

Rough Opening: 14" x 24" x 2-1/2" **Storage Depth:** 3-1/2" **Projection from wall:** 1-7/8"

Surface Mount: Covers up to 15-3/8" x 25-1/4"

Door Catch: Magnetic catch with riveted striker plate

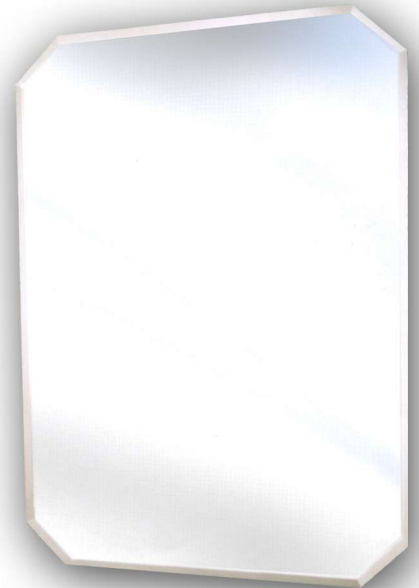
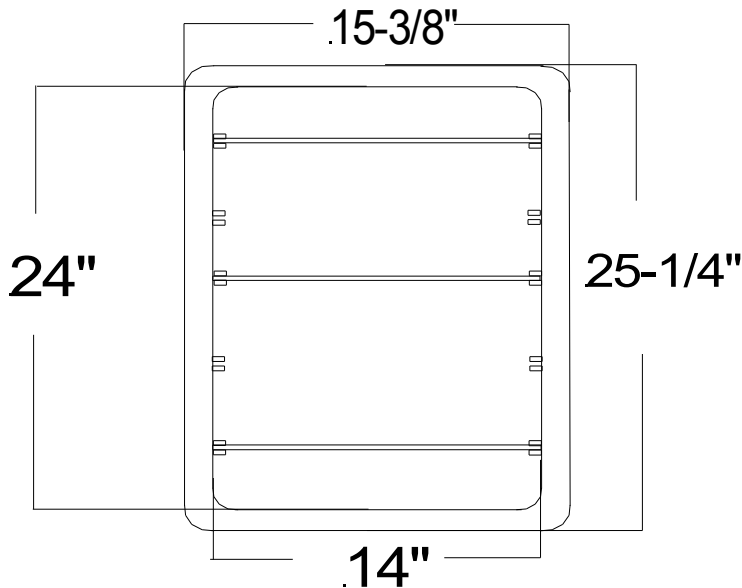
Shelves: 3 adjustable white polystyrene and 1 fixed white polystyrene

Hinges: 2 Tri-Brite galvanized 2-1/2" split butt hinge

Hardware: All hardware is zinc plated(magnetic catch, screws & hardware pack)

Cabinet: Injection Molded in White Typical Wall Thickness .110
Material: High Impact Polystyrene All Color Non-Toxic

99 Series(Standard and 1A)Plastic(Polystyrene) Recessed or Surface Mounted Cabinet



Storage Depth(3.5")
Covers up 15.375" x 25.25"
3 White Adjustable
Polystyrene Shelves
1 Fixed White Polystyrene shelf
R.O.(14" x 24"x 2.5")