

### Construction

**Mirror thickness:** 5mm door

**Bevel size:** 1"

**Frame:** frameless

**Cabinet body:** 22 gauge white powder coated steel with mirrored sides (3mm x 19.438" x 3.438" polished edges on all sides). Side mirrors taped

**Door backing:** 26 gauge white powder coated steel

**Cabinet body backing:** 22 gauge white powder coated steel

**Shelf description and quantity:** two adjustable 1/8" x 14.96" x 3.094" tempered glass shelves (wrapped, not installed) and four clear polystyrene (plastic) shelf supports (not installed)

**Hinges/brackets:** 17" x 1-1/16" piano hinge white powder coated steel welded to cabinet and riveted to door back

**Door closure:** magnetic catch with rubber bumpers

**Weight:** 18 lbs



### Installation

**Installation type:** surface mount

**Mounting method:** exposed holes in back or cabinet for surface mounting

**Mounting hardware:** not included

**Reversible installation:** yes

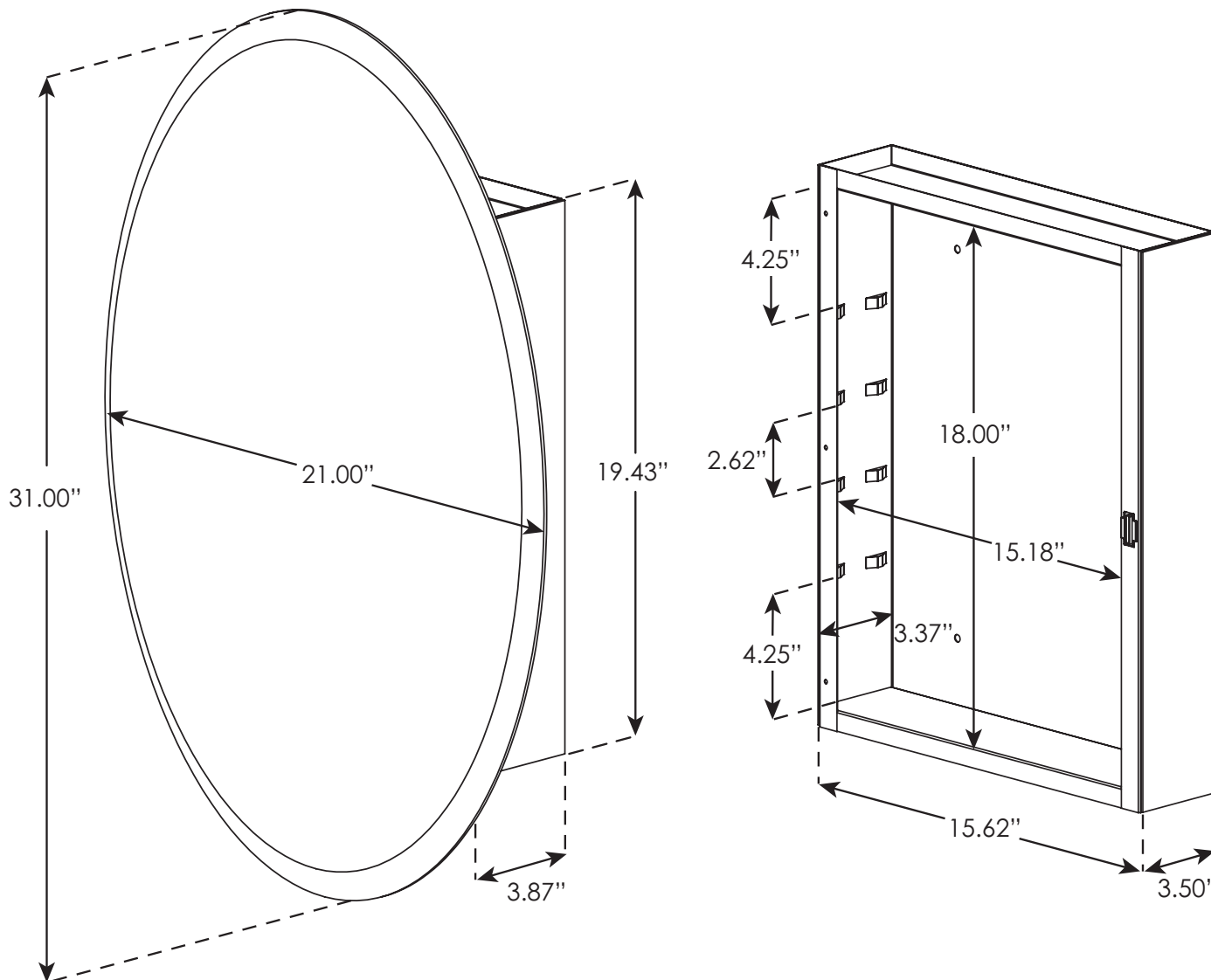
### Notes

Install this product according to the instruction sheet. When determining the location for the medicine cabinet, ensure the door will clear all obstacles, such as lighting fixtures and faucets. A minimum distance of 3" is recommended.

Secure the mounting screws (*not included*) into wall studs to avoid possible property and product damage. If this is not possible, appropriate anchors (*not included*) must be inserted before installing the mounting screws.



### Dimensions



**Overall size:** 21" W x 31" H x 3-7/8" D

**Rough opening size:** surface mount only

**Mounting flange width:** n/a

